



BUDI-S Fiber Wall Box

BUDI wall boxes are compact, wall-mountable fiber enclosures used in indoor and outdoor-above-ground applications. They are specifically designed for fast FTTx deployment and easy customer connections.

The BUDI-S consists of a base and a cover with a profiled seal for environmental protection. Internal mounting trays with plug-and-play (PnP) splitters and sliding adapter packs.

Available with splicing and/or patching capabilities, high connector density, small and larger footprints, the BUDI product range offers flexible solutions for a wide range of applications in the access network.

Benefits

- Easy fiber cable access during installation, maintenance and addition of splitter modules
- Capability for various PnP Splitter configurations; modular and flexible splitter internal tray
- Same splitter fit form and function fits across into other products. Minimize SKU for different products, as all use the same splitter SKU
- Bend radius protection throughout the whole organized system
- Manage, store, and re-arrange fiber cables neatly
- Good environment protection with sealing mechanism for the box itself as well as for the cable ports

BUDI-S Fiber Wall Box

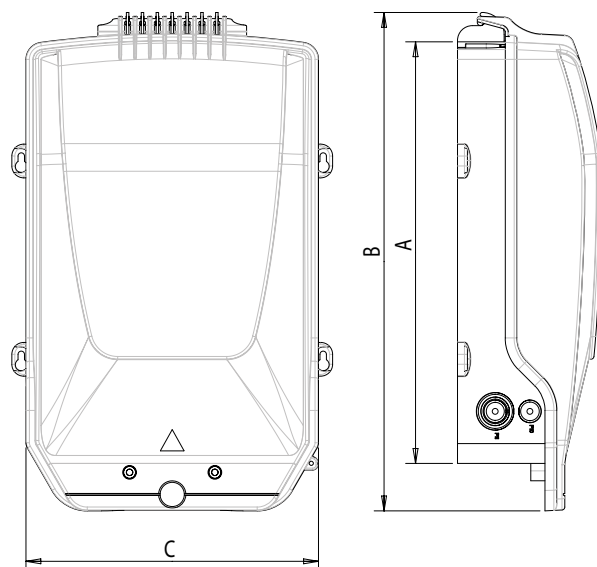
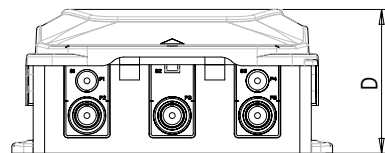
Features

- Covers both indoor and outdoor application
- Designed to operate in Category C (Controlled), category G (Outdoor ground level) and category A (Aerial) as Characterized by IEC 61753-1
- Space to locate and integrate the functions of passive optical components, Plug and Play splitters.
- Materials are LSZH; fire retardant
- Removable enclosure lid
- Lockable with outer screws.

Specifications

Size

Dimension	Metric (mm)	English (inch)
A: Height box	425	16.73
B: Height cover	500	19.69
C: Width	295	11.61
D: Depth	145	5.71



Description	
Material	Plastic
Color	Gray
Temperature	-40 °C to +65 °C
IP Rating	IP55

Ordering Information

Description	Part Number
BUDI S, 16 port, SC/APC, 1x16 Splitter loaded	BUDI-STJ16SC-MV
BUDI S, 32 port, SC/APC, 1x32 Splitter loaded	BUDI-STJ32SA-MV
BUDI S, 32 port, SC/APC, Dual 1x16 Splitter loaded	BUDI-STJ32SM-MV
BUDI S, 16 port, SC/APC, Feeder Splice Tray & 1x16 Splitter loaded	BUDI-SAJ16SC-MV
BUDI S, 32 port, SC/APC, Feeder Splice Tray & 1x32 Splitter loaded	BUDI-SAJ32SA-MV
BUDI S, 32 port, SC/APC, Feeder Splice Tray & Dual 1x16 Splitter loaded	BUDI-SAJ32SM-MV
BUDI splice tray (1) upgrade kit with two SC/APC pigtail	BUDI-ACCSPLICETRAYKIT

BUDI-S Fiber Wall Box



Ordering Information

BUDI - X X X XX X X - XX

Chassis Size

S	S size housing
---	----------------

Insert Tray or Holder type

T	Holder for PnP splitters
A	Feeder Splice Tray & Holder for PnP splitters

Connector type

O	None
J	SC/APC

Number of ports

00	None
16	16
32	32

MV	Customer Code
----	---------------

Adapter Pack Loading

A	1x32
C	1x16
M	Dual 1x16

Chassis Controller

S	Customer Specific Splitter
---	----------------------------



www.commscope.com

Visit our website or contact your local CommScope representative for more information.

© 2016 CommScope, Inc. All rights reserved.

BUDI and all trademarks identified by ® or ™ are registered trademarks or trademarks, respectively, of CommScope, Inc.

This document is for planning purposes only and is not intended to modify or supplement any specifications or warranties relating to CommScope products or services.

PS-321653.1-AE (01/16)